

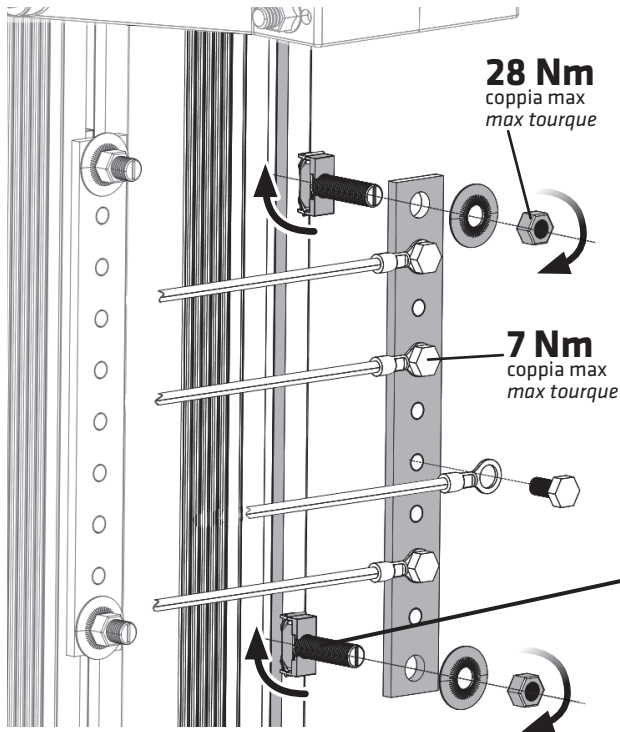
# BCM8

Supporto barretta  
connessioni modulari

*Bar support  
for modular connections*

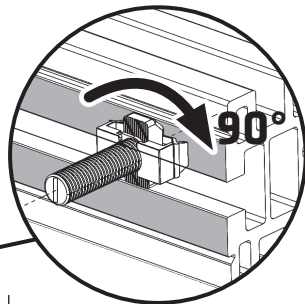
Istruzioni di montaggio  
*Instructions for use*





kit composto da 1 barra in alluminio stagnato con fori filettati M6, 2 viti testa a martello, rondelle e dadi

*kit made up of 1 tin-plated aluminium bar with M6 threaded holes, 2 hammer head screws, washers and nuts.*



**lafer.com**